



# **CB200-U**

# **CB200-M**

## User Guide

# TABLE OF CONTENTS

RF Safety & FCC.....	4
Safety & Information.....	5
Electromagnetic Interference Compliance.....	6
Industry Canada Compliance.....	7
Computer Software Copyrights.....	8
Documentation Copyrights.....	9
Battery Installation.....	10
Controls Interface .....	11
LCDDisplay.....	12
LCDWakeup.....	13
Scrolling Menu.....	14
Frequency Selection.....	15
Code Selection.....	16
Message Recording.....	17
Message Playback.....	18
Volume Adjusting.....	19

# TABLE OF CONTENTS

LCD Contrast.....	20
User Defined Frequencies.....	21
Software Version.....	22
Call Cycles.....	23
Cycle Delay.....	24
Inverted Codes.....	25
Changing VHF to MURS.....	26
RF Busy Delay.....	27
Mounting the Device.....	28-29
Frequency Tables - UHF .....	30-31
Frequency Tables - VHF.....	32
Frequency Tables - MURS.....	33
CTCSS Code Tables.....	34-36
Notes.....	37-39

# RF SAFETY & FCC COMPLIANCE

This equipment has been tested and found to comply with the limits for a Class B digital device, pursuant to Part 15 of the FCC Rules. These limits are designed to provide reasonable protection against harmful interference in a residential installation. This equipment generates uses and can radiate radio frequency energy and, if not installed and used in accordance with the instructions, may cause harmful interference to radio communications. However, there is no guarantee that interference will not occur in a particular installation. If this equipment does cause harmful interference to radio or television reception, which can be determined by turning the equipment off and on, the user is encouraged to try to correct the interference by one of the following measures:

- Reorient or relocate the receiving antenna.
- Increase the separation between the equipment and receiver.
- Connect the equipment into an outlet on a circuit different from that to which the receiver is connected.
- Consult the dealer or an experienced radio/TV technician for help.

Federal Communications Commission  
445 12th Street, SW  
Washington, DC 20554

1-888-225-5322 (1-888-CALL FCC) Voice: toll free 1-888-835-5322 (1-888-TELL FCC) TTY: toll free



# SAFETY & INFORMATION

The CB200 requires care in mounting and servicing. Observing the following precautions will ensure the proper function and safety of the unit.

## **CAUTION!**

- Do not screw through the device to mount to a surface.
- Keep the Callbox away from water, high moisture, and high temperatures.
- This equipment contains potentially hazardous voltages.
- Do not attempt to disassemble the unit.
- Except for the batteries, this unit contains absolutely no user serviceable components and all service should be completed only by qualified service personnel.
- Do not dispose of batteries in fire. The batteries may explode.
- Do not open or mutilate the batteries, they contain dangerous electrolytes.
- Operating this unit in any capacity other than its intended purpose may result in system failure and possible injury and voids any and all warranty.

# EMI COMPATIBILITY

## ELECTROMAGNETIC INTERFERENCE (EMI) COMPLIANCE

**NOTE:** Nearly every electronic device is susceptible to electromagnetic interference (EMI) if inadequately shielded, designed, or otherwise configured for electromagnetic compatibility.

This device complies with part 15 of the FCC Rules and Industry Canada License-exempt RSS standard(s). Operation is subject to the following conditions:

- (1) This device may not cause harmful interference, and
- (2) This device must accept any interference received, including interference that may cause undesired operation of the device.
- (3) Changes or modifications made to this device, not expressly approved by Motorola, could void the authority of the user to operate this equipment.

# INDUSTRY CANADA COMPLIANCE

7

## **Industry Canada (IC) statement (Canada) / Déclaration de Canada d'industrie (IC) (Canada)**

### **IC RF Exposure Statement / Déclaration d'exposition d'IC RF**

This device meets the IC requirements for RF exposure in public or uncontrolled environments.

Cet appareil est conforme aux conditions de la IC en matière de RF dans des environnements publics ou incontrôlée.

### **IC Warning / Avertissement d'IC**

This device complies with Industry Canada license exempt RSS standard(s). Operation is subject to the following two conditions: 1. this device may not cause interference, and 2. this device must accept any interference, including interference that may cause undesired operation of the device.

Cet appareil est conforme avec Industrie Canada RSS standard exempts de licence (s). Son utilisation est soumise à Les deux conditions suivantes: 1. cet appareil ne peut pas provoquer d'interférences et 2. cet appareil doit accepter Toute interférence, y compris les interférences qui peuvent causer un mauvais fonctionnement du dispositif.

# COMPUTER SOFTWARE COPYRIGHTS

The Motorola Solutions products described in this manual may include copyrighted Motorola Solutions computer programs stored in semiconductor memories or other media. Laws in the United States and other countries preserve for Motorola Solutions certain exclusive rights for copyrighted computer programs including, but not limited to, the exclusive right to copy or reproduce in any form the copyrighted computer program. Accordingly, any copyrighted Motorola computer programs contained in the Motorola Solutions products described in this manual may not be copied, reproduced, modified, reverse-engineered, or distributed in any manner without the express written permission of Motorola Solutions. Furthermore, the purchase of Motorola Solutions products shall not be deemed to grant either directly or by implication, estoppel, or otherwise, any license under the copyrights, patents or patent applications of Motorola Solutions, except for the normal nonexclusive license to use that arises by operation of law in the sale of a product.



# DOCUMENTATION COPYRIGHTS

No duplication or distribution of this document or any portion thereof shall take place without the express written permission of Motorola Solutions. No part of this manual may be reproduced, distributed, or transmitted in any form or by any means, electronic or mechanical, for any purpose without the express written permission of Motorola Solutions.

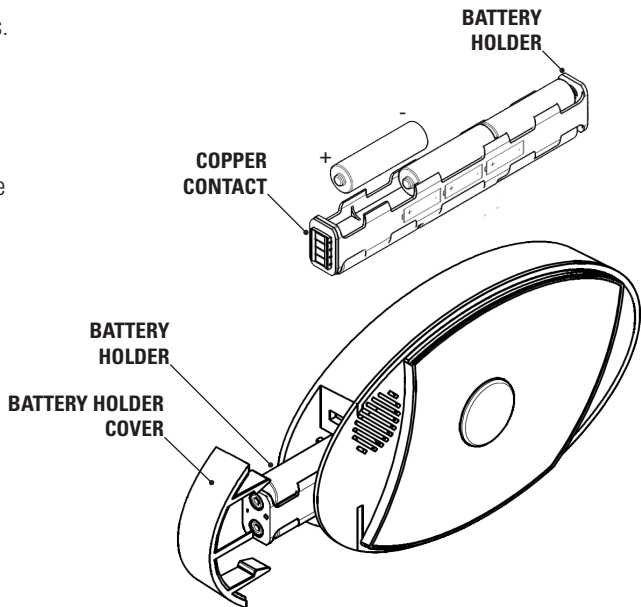
## **DISCLAIMER**

The information in this document is carefully examined, and is believed to be entirely reliable. However, no responsibility is assumed for inaccuracies. Furthermore, Motorola Solutions reserves the right to make changes to any products herein to improve readability, function, or design. Motorola Solutions does not assume any liability arising out of the applications or use of any product or circuit described herein; nor does it cover any license under its patent rights, nor the rights of others.

# INSTALLING THE BATTERIES

The CB200 uses six (6) AA batteries.

1. Remove the battery holder from cardboard packaging.
2. Orient the battery holder with the four copper contacts pointed towards you.
3. Insert the batteries following battery sled sticker.
4. Insert battery holder into bottom of device with the four contacts first.
5. Replace the battery holder cover.

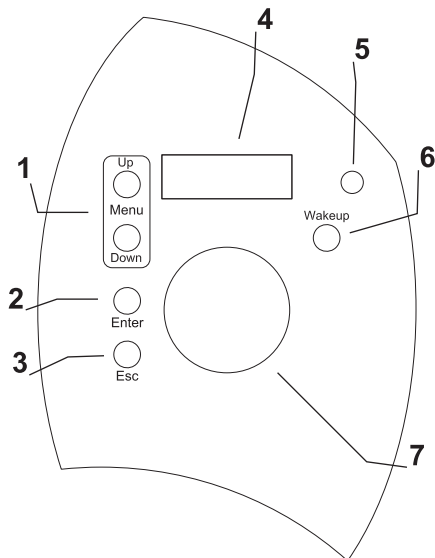


# CONTROL INTERFACE

11

## Available Controls and Components

1. **Menu** Button
2. **Enter** Button
3. **Esc** Button
4. Display
5. Microphone
6. **Wake Up** Button
7. **Call** Button



# LCD DISPLAY

## Initial Power-Up

Once the batteries are installed in the unit, the Call Button blinks and LCD display shows

### Interface ENA.



```
INTERFACE ENA  
-ESC to EXIT-
```

If the USB Serial Interface is not to be used, press the **ESC** button to exit this mode. The default status screen will be shown on the display. If nothing is pressed, the unit will enter sleep mode after 60 seconds and the screen will clear.

## Status Screen

The Status Screen toggles the current Frequency and CTCSS setting continuously.



```
Freq No: 6  
MHZ:467.8750
```

```
Channel Spacing  
12.5 KHz
```

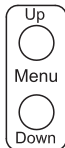
```
Freq No: 6  
MHZ:467.8750
```

# LCD WAKEUP

The screen is in a blank “sleep” state during most operation, even when the system is operating. This is a feature to increase battery life and prevent tampering.

To enter the **Menu** options, press the **Wakeup** button on the unit. The large round button blinks to indicate it is awake.

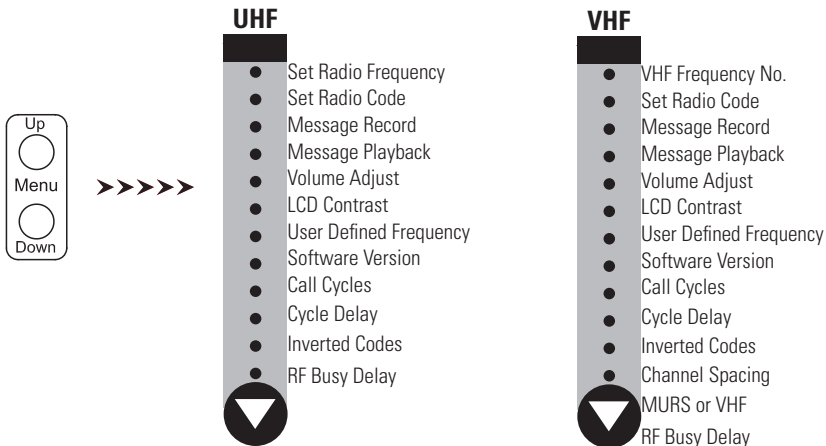
The display remains disabled until any LCD menu control button is pressed. The LCD menu control buttons are **Up** or **Down** as shown in the following.



# SCROLLING MENU

You can setup preferred features on CB200 by scrolling through the menu options. Press the **Menu buttons** to scroll through menus.

**Menu** options are presented in the order below, and the list repeats continuously.



# RADIO FREQUENCY SELECTION

## Set Radio Frequency

When the unit is awake and displaying the Status Screen, press the **UP** or **Down** Menu buttons until **"Radio Freq?"** appears.

```
Radio Freq?
```

Press **Enter**

```
Old: 6 467.8750  
New: 6 467.8750
```

Press **Up** or **Down** to  
select new frequency

```
Old: 6 467.8750  
New: 2 464.5500
```

Press **Enter** to select new  
frequency

```
Old: 6 467.8750  
**Freq Updated
```

Press **Enter** to select new  
frequency

The radio is now programmed with the new frequency selected.

# RADIO CODE SELECTION

## Set Code Frequency

When the unit is awake and displaying the Status Screen, press the **UP** or **Down** Menu buttons until **"Radio Code?"** appears.

```
Radio Code?
```

Press **Enter**

```
Old:12 100.0 Hz  
New:12 100.0 Hz
```

Press **Up** or **Down** to  
select new code

```
Old:12 100.0 Hz  
New:13 103.5 Hz
```

Press **Enter** to select new  
code

```
Old:12 100.Hz  
**Code Updated
```

Press **Enter** to select new  
code

The radio is now programmed with the new CTCSS code.



# MESSAGE RECORDING

Press **Up** or **Down** button until “**Msg Record?**” appears.

Msg Record?

Press **Enter**

Select Message?  
Aux Message

Press **Up** or **Down** to find message to record.

Select Message?  
Local Message

Press **Enter** to select message to record.

Hold ENTER Btn  
To Record Msg

Hold **Enter** button to record a new message.

The new message automatically playback to verify it was recorded correctly. Message cannot be longer than 10 seconds.

# MESSAGE PLAYBACK

Press **Up** or **Down** button until “**Msg Playback?**” appears.

Msg Playback?

Press **Enter**

Select Message?  
Local Message

Press **Up** or **Down** to find message to playback.

Select Message?  
Radio Message

Press **Enter** to select message to playback.

-Playback Act-  
Radio Message

Select new message to playback or press **Esc** to exit.

# VOLUME ADJUSTMENT

Press **Up** or **Down** button until “**Volume Adjust?**” appears.

```
Volume Adjust?
```

Press **Enter**

```
Speaker Volume?
```

Press **Up** or **Down** to select which volume to adjust, then press Enter.

```
-Speaker Vol-  
Vol (1-63) : 45
```

Press **Up** or **Down** until desired volume selection is shown. The volume settings take place immediately. Press **Esc** to exit.

# LCD CONTRAST

Press **Up** or **Down** button until “**LCD Contrast?**” appears.

```
LCD Contrast?
```

Press **Enter**

```
-LCD Contrast-  
(0-15): 0
```

Press **Up** or **Down** until desired contrast selection is shown. The contrast settings take place immediately. Press **Esc** to exit.

If the need arises to adjust the LCD contrast, check the batteries first. The batteries may be too weak to operate the unit correctly.

# USER DEFINED FREQUENCIES

If the radios you are using are set to frequencies not listed in our predefined set, you can reset them in this area.

There are placeholders for 5 channels, UHF 57-61 ( VHF 6-10 ) ( Not Available in MURs )

Press **Up** or **Down** button until “**User Def Freq?**” appears.

```
User Def Freq?
```

Press **Enter**

```
Mem Location?  
(57-61) :57
```

Press **Up** or **Down** to select which memory location to define.

```
57 Old:467.8750  
New:467.8750
```

Press **Up** or **Down** to select new frequency. Press **Enter**. Press **Esc** to exit without any changes.

Press and hold **Up** or **Down** button for faster increments in the frequency change.

# SOFTWARE VERSION

You may be asked by a field support or technical support personnel to determine the CB200 device's software version.

Press **Up** or **Down** button until "**Software Ver?**" appears.

```
Software Ver?
```

Press **Enter**

```
Motorola CB200  
VER: CB2.00
```

The software version is shown

# CALL CYCLES

Call Cycles refers to the repeating radio broadcasts that will occur when the call button is active.

Press **Up** or **Down** button until “**Call Cycles?**” appears.

```
Call Cycles?
```

Press **Enter**

```
Old: 2 cycles  
New: 2 cycles
```

Press **Up** or **Down** to increase or decrease the Call Cycle selection. The range is 1-30 cycles. Press **Enter** to select the new Call Cycle.

# CYCLE DELAY

Call Delay refers to the delay (in seconds) between repeating radio broadcasts that occur when the call button (or aux button) is active.

Press **Up** or **Down** button until **“Cycle Delay?”** appears.

Cycle Delay?

Press **Enter**

Old: 45 sec

New: 45 sec

Press **Up** or **Down** to increase or decrease the Cycle Delay selection. The range is 10-180 seconds. Press **Enter** to select the new Call Cycle.



# INVERTED CODES

When selecting digital CTCSS (squelch) codes, some receiving units may require inverted Octal numeric codes. Typically, receivers use the non-inverted codes. CB200 is set to non-inverted by default.

Press **Up** or **Down** button until “**Inverted Codes?**” appears.

Inverted Codes?

Press **Enter**

Active: NORMAL  
New = NORMAL

Press **Up** or **Down** to select between **NORMAL** and **INVERTED**. Press **Enter** to select the new setting.

**WARNING:** If the incorrect digital code is selected, the radio broadcast will not open the squelch of the receiving unit.

# CHANGING VHF TO MURS

The VHF CB200 can change between VHF channel set and MURs Channel Set.

Press **Up** or **Down** button until "**MURs or VHF?**" appears.

MURS or VHF?

Press **Enter**

Active:MURS Only  
New = VHF

Press **Up** or **Down** to cycle through **MURS Only** and **VHF** selections. Press **Enter** to select the new value or **Esc** to exit without any changes.

# RF BUSY DELAY

RF Busy Delay defines the amount of time after the CB200 recognizes an open channel before it makes it's radio transmission. This is helpful if you would like to set a longer time between button press and radio message or to prevent transmitting while conversations are ongoing in some environments.

Press **Up** or **Down** button until "**RF Busy Delay?**" appears.

```
RF Busy Delay?
```

```
Old = 3 Sec  
New = 3 Sec
```

Press **Enter**

Use the **Up** or **Down** to cycle through the **RF Busy Delay** selections (3-15 seconds). Press **Enter** to select the new value, or **Esc** to exit without any changes. Default setting is 3-seconds.

# MOUNTING THE DEVICE

The CB200 can be mounted to the wall using the included 3M DuoLock strips or by using the optional wall mounting bracket.

## Using 3M DuoLock

Ensure both the back of the callbox and the area of the surface that is being attached to is clean, flat, and dry.

1. Peel off one side of the DuoLock's release backing and firmly adhere to the left side of the unit. Repeat this with the other DuoLock to the right side of the callbox.
2. Once both strips of DuoLock are attached to the callbox, peel off the white release backing and carefully align the unit to be level on the surface you intend to place it.

# MOUNTING THE DEVICE

3. Once the callbox appears aligned, firmly press it to the wall in one motion.

**Note:** The callbox is now removable by applying firm pressure around the exterior edge of the unit. For permanent and tamper proof mounting, please use the mounting bracket available from your Motorola CB200 distributor.

# FREQUENCY SELECTION TABLE - UHF

<b>Freq. No.</b>	<b>Freq. Value (MHz)</b>	<b>Freq. No.</b>	<b>Freq. Value (MHz)</b>	<b>Freq. No.</b>	<b>Freq. Value (MHz)</b>
1	464.5000	13	461.1375	25	462.8125
2	464.5500	14	461.1625	26	462.8375
3	467.7625	15	461.1875	27	462.8625
4	467.8125	16	461.2125	28	462.8875
5	467.8500	17	461.2375	29	462.9125
6	467.8750	18	461.2625	30	464.4875
7	467.9000	19	461.2875	31	464.4875
8	467.9250	20	461.3125	32	464.5375
9	461.0375	21	461.3375	33	464.5625
10	461.6025	22	461.3625	34	466.0375
11	461.0875	23	462.7625	35	466.0625
12	461.1125	24	462.7875	36	466.0875

# FREQUENCY SELECTION TABLE - UHF

Freq. No.	Freq. Value (MHz)	Freq. No.	Freq. Value (MHz)	Freq. No.	Freq. Value (MHz)
37	466.1125	49	467.8375	61	User Defined
38	466.1625	50	467.8625		
39	466.1625	51	467.8875		
40	466.1875	52	467.9125		
41	466.2125	53	469.4875		
42	466.2375	54	469.5125		
43	466.2625	55	469.5375		
44	466.2875	56	469.5625		
45	466.3125	57	User Defined		
46	466.3375	58	User Defined		
47	466.3625	59	User Defined		
48	467.7875	60	User Defined		

# FREQUENCY SELECTION TABLE - VHF

<b>Freq. No.</b>	<b>Freq. Value (MHz)</b>	<b>Description</b>
1	151.8200	Standard FCC MURS Channel1
2	151.8800	Standard FCC MURS Channel 2
3	151.9400	Standard FCC MURS Channel 3
4	154.5700	Standard FCC MURS Channel 4
5	154.6000	Standard FCC MURS Channel 5
6	154.6000	Custom Freq 1
7	154.6000	Custom Freq 2
8	154.6000	Custom Freq 3
9	154.6000	Custom Freq 4
10	154.6000	Custom Freq 5



# FREQUENCY SELECTION TABLE - MURS 33

<b>Freq. No.</b>	<b>Freq. Value</b>	<b>CTCSS Code</b>	<b>Bandwidth (KHz)</b>	<b>Description</b>
1	154.5700	0	25 KHz	Default Freq
2	154.6000	0	25 KHz	Default Freq
3	151.8200	57 (131)	12.5 KHz	Default Freq
4	151.8800	57 (131)	12.5 KHz	Default Freq
5	151.9400	57 (131)	12.5 KHz	Default Freq
6	154.5700	57 (131)	25 KHz	Default Freq
7	154.6000	57 (131)	25 KHz	Default Freq

# CTCSS CHART (ANALOG)

No.	Code Hz	No.	Code Hz	No.	Code Hz	No.	Code Hz
1	67.0	13	103.5	25	156.7	37	241.8
2	71.9	14	107.2	26	162.2	38	250.3
3	74.4	15	110.9	27	167.9		
4	77.0	16	114.8	28	173.8		
5	79.7	17	118.8	29	179.9		
6	82.5	18	123.0	30	186.2		
7	85.4	19	127.3	31	192.8		
8	88.5	20	131.8	32	203.5		
9	91.5	21	136.5	33	210.7		
10	94.8	22	141.3	34	218.1		
11	97.4	23	146.2	35	225.7		
12	100.0	24	151.4	36	233.6		

# CTCSS CHART (DIGITAL)

No.	Code	No.	Code	No.	Code	No.	Code
39	023	51	073	63	156	75	261
40	025	52	074	64	162	76	263
41	026	53	117	65	165	77	265
42	031	54	115	66	172	78	271
43	032	55	116	67	174	79	306
44	043	56	125	68	205	80	311
45	047	57	131	69	223	81	315
46	051	58	132	70	226	82	331
47	054	59	134	71	243	83	343
48	065	60	143	72	244	84	346
49	071	61	152	73	245	85	351
50	072	62	155	74	251	86	364

# CTCSS CHART (DIGITAL)

No.	Code	No.	Code	No.	Code
87	365	99	503	111	654
88	371	100	506	112	662
89	411	101	516	113	664
90	412	102	532	114	703
91	413	103	546	115	712
92	423	104	565	116	723
93	431	105	606	117	731
94	432	106	612	118	732
95	445	107	624	119	734
96	464	108	627	120	743
97	465	109	631	121	754
98	466	110	632		

# NOTES



# NOTES



CR 300 8888111



Printed in USA